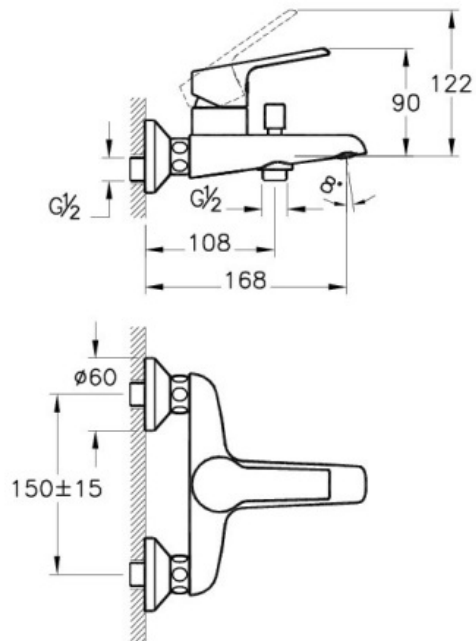


Description	Axe S Bath/Shower Mixer
Code	A41070EXP
Installation Type	Standard
Product Properties	Energy Saving
Working Pressure	0,5-10 Bar (Recommended 3-5 Bar)
EPD	Yes
Coating	Chrome
Cartridge	35 mm Cartridge Flow and Temperature Adjustable
Aerator	Cache Aerator
Colour	Chrome



VitrA retains the right to change details about the products and technical specifications without prior notice.